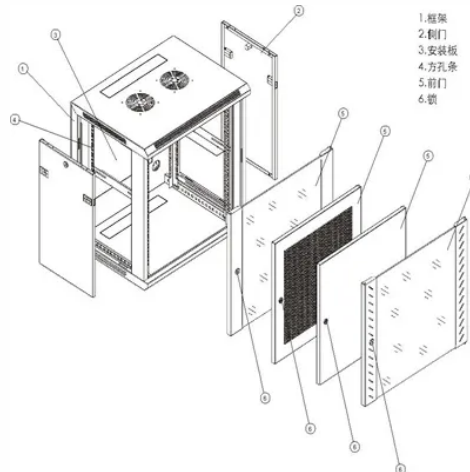




# Advantages and disadvantages of 15MWh photovoltaic container for tunnels



## Overview

Understanding the pros and cons of photovoltaic cells and the associated technology can help you evaluate if the PV cell is a truly renewable and environmentally friendly energy solution. Advantages of photovoltaic systems

1. Photovoltaic arrays ensure continuous, uninterrupted operation of critical power supplies. Indeed, the intensity of the sun varies throughout the day and the year. Therefore, solar panels cannot produce electricity at night. We may earn an affiliate commission at no extra cost to you if you buy through a link on. One of the greatest advantages of photovoltaic cells is that they harness energy from the sun, which is an abundant and renewable resource. Unlike fossil fuels, which are finite and contribute to environmental pollution, solar energy is sustainable and clean. Solar Technology Has Reached Maturity: With panel efficiency improving 33% since 2010 (from 15% to 20-22%) and costs dropping 70% to \$2.03 per watt, solar energy has become a mainstream, accessible technology for most homeowners in 2025. Financial Returns Are Compelling: The average household.



## Article Content

Techno-economic analysis of commercial-scale 15 MW on-grid ...

This study evaluates the performance and economic viability of a 15 MW on-grid photovoltaic (PV) system in Bakalia Char, Chittagong, Bangladesh, and will propose this study for ...

21 Pros and Cons of Photovoltaic Cells: Everything You Need to Know

Photovoltaic cells have many pros and cons, so it's useful to understand more about them to deduce their implications. PV cells (sometimes referred to as solar cells), are semiconductors ...

Pros And Cons Of Solar Energy: Complete 2025 Guide

Discover the complete pros and cons of solar energy in 2025. Expert analysis of costs, savings, benefits, and drawbacks to help you make an ...

Advantages and disadvantages of a photovoltaic plant

Large-scale solar power projects depend on high-voltage transmission lines to carry electricity from solar power plants to end users. Unfortunately, the current ...

Advantages and disadvantages of photovoltaic systems

At present, the construction cost of photovoltaic systems is relatively high, but with the reduction of photovoltaic system construction costs and the rise of traditional energy prices, ...

what are the advantages and disadvantages of photovoltaic cells

Photovoltaic cells offer numerous advantages as a clean and sustainable energy source, but they also have limitations that need to be addressed. As technology continues to advance and costs decrease, ...

The advantages and disadvantages of a photovoltaic ...

A photovoltaic system offers many advantages, such as sustainable energy production, cost efficiency, flexibility and independence from electricity suppliers. ...

The Advantages and Disadvantages of Solar Energy

We explore the main advantages and disadvantages of solar energy, the most abundant, fastest, and cheapest energy source on Earth.

Solar Energy: Pros and Cons, Costs, and ...

Its sustainability and low environmental impact are major advantages, but there are challenges, such as intermittent sunlight, land use ...

Advantages and Disadvantages of Solar PV

Read our guide to understand the advantages and disadvantages of solar PV in the UK for anyone thinking about installing solar PV today!

## Contact Us

For more information, pricing, or custom solutions, please contact us:

Website: <https://lup.edu.pl>

Email: [info@lup.edu.pl](mailto:info@lup.edu.pl)

Phone: +48 512 478 936

Address: ul. Marszałkowska 10, 00-001 Warsaw, Poland

This document is for informational purposes only. Specifications subject to change without notice.

