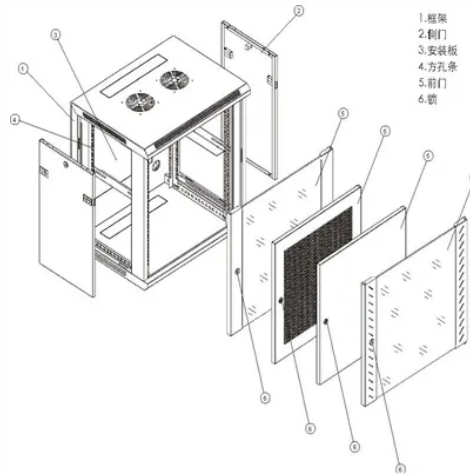




Cost of IP65 Battery Cabinet Automatic Type for Construction Sites



Overview

Let's cut to the chase: battery energy storage cabinet costs in 2025 range from \$25,000 to \$200,000+ – but why the massive spread?

Whether you're powering a factory or stabilizing a solar farm, understanding these costs is like knowing the secret recipe to your grandma's. Let's cut to the chase: battery energy storage cabinet costs in 2025 range from \$25,000 to \$200,000+ – but why the massive spread?

Whether you're powering a factory or stabilizing a solar farm, understanding these costs is like knowing the secret recipe to your grandma's. A Battery Cabinet IP65 is an enclosed storage solution designed to protect batteries in demanding environments. We'll break. SR Brackets are an open battery stacking system that is flexible, secure, and sets up in only a few minutes. The SRB2 Battery Cabinet is an outdoor-rated enclosure that can hold up to 2x SR5K-UL battery. The protection level reaches IP 65 which means the material can provide a great performance of both water-proof and dust-proof. With the rising of PON (Passive Optical Network), optical fiber has become. Explore reliable, and IEC-compliant energy storage systems designed for renewable integration, peak shaving, and backup power.

Article Content

Battery Cabinet IP65 Customized Waterproof Battery ...

The CNTCE product line incorporates design flexibility to quickly customize dimensions and functionality. When combined with our optimized ...

Outdoor Battery Box Enclosures and Cabinets | Lithium ...

There are many different types of BESS available, including lithium-ion batteries, lead-acid batteries, flow batteries, and flywheels. Each type has its advantages ...

Battery Racks & Cabinets - StackRack Battery Systems

Explore StackRack's modular battery systems for residential, commercial, and utility-scale projects. Offering expert design, engineering and project management.

All-in-One Energy Storage Cabinet & BESS Cabinets | Modular, ...

Safety and Compliance: Ensuring safety for both users and the environment is critical, particularly with high-energy systems. Cost and Time: Building a custom BESS system can be expensive and time ...

Smart Custom Metal Battery Cabinet IP65 IP54 Inverter Cabinet

The IP65 rating guarantees complete protection against dust ingress, making these cabinets ideal for use in construction sites, mining operations, manufacturing plants, and desert ...

Outdoor Battery Cabinet

Each cabinet features IP54-IP65 ingress protection, ensuring it functions as a weatherproof battery enclosure suitable for telecom stations, solar applications, and industrial sites.

CellBlock Battery Fire Cabinets

Designed for use in a climate controlled environment, it regulates temperature and provides active smoke monitoring with an alarm ...

Battery Energy Storage Cabinet Cost: A 2025 Breakdown for ...

Let's cut to the chase: battery energy storage cabinet costs in 2025 range from \$25,000 to \$200,000+ - but why the massive spread? Whether you're powering a factory or stabilizing a solar ...

IP65 electric cabinet, IP65 network cabinet

Find your ip65 electric cabinet easily amongst the 14 products from the leading brands (RITTAL, SIAP+MICROS, Raycap, ...) on DirectIndustry, the industry specialist for your professional purchases.

Contact Us

For more information, pricing, or custom solutions, please contact us:

Website: <https://lup.edu.pl>

Email: info@lup.edu.pl

Phone: +48 512 478 936

Address: ul. Marszałkowska 10, 00-001 Warsaw, Poland

This document is for informational purposes only. Specifications subject to change without notice.

